

Uniden®

DECT 3115

For more exciting new products please visit our website:

Australia: www.uniden.com.au

New Zealand: www.uniden.co.nz

OWNER'S MANUAL

IMPORTANT SAFETY INSTRUCTIONS

When using your telephone equipment, basic safety precautions should always be followed to reduce the risk of fire, electric shock and injury to persons, including the following:

- **This unit is NOT waterproof.** DO NOT expose this unit to moisture.
- DO NOT expose this unit to rain.
- Do not use this product near water, for example, near a bath tub, wash bowl, kitchen sink or laundry tub, in a wet basement or near a swimming pool.
- Avoid using a telephone (other than a cordless type) during an electrical storm. There may be a remote risk of electric shock from lightning.
- Do not use the telephone to report a gas leak in the vicinity of the leak.
- Use only the power cord and batteries indicated in this manual. Do not dispose of batteries in a fire. They may explode. Check with local codes for possible special disposal instructions.
- Do not place the handset in any charging cradle without the battery installed and the battery cover securely in place.

SAVE THESE INSTRUCTIONS!

General Notices for New Zealand Model:

- The grant of a NZ Telepermit for any item of terminal equipment indicates only that Telecom has accepted that the item complies with minimum conditions for connection to its network. It indicates no endorsement of the product by Telecom, nor does it provide any sort of warranty. Above all, it provides no assurance that any item will work correctly in all respects with another item of Telepermitted equipment of a different make or model, nor does it imply that any product is compatible with all of Telecom's network services.
- The maximum volume setting of this telephone exceeds the Telecom specified volume requirement. Telecom takes no responsibility for the high volume available on this telephone, who believe this telephone is too loud should contact the manufacturer at the website indicated on owner's manual warranty page.
- For telephone networks other than Telecom there may be a charge incurred for local calls if the Insert 0 feature is on. Turn Insert 0 off.
- This equipment may not provide for the effective hand-over of a call to another device connected to the same line.

WHAT'S IN THE BOX?



DECT 3115
base with
cordless
handset

Not Pictured:

- Rechargeable battery (BT-694, BT-694s or BT-694n)
- AC adaptor (PS-S0635YL3)
- Telephone cord
- Wall mount bracket
- Battery cover



Accessory handset
and charger

- Rechargeable battery (BT-694, BT-694s or BT-694n)
- AC adaptor (AAD-600S(M))
- Battery cover

If you purchased model number:	You should have:
DECT 3115	None
DECT 3115+1	1 of each
DECT 3115+2	2 of each
DECT 3115+3	3 of each
DECT 3115+4	4 of each
DECT 3115+5	5 of each

- If any items are missing or damaged, contact your place of purchase immediately. **Never use damaged products!**
- Need help? Get answers at our website:
www.uniden.com.au for Australian model
www.uniden.co.nz for New Zealand model.

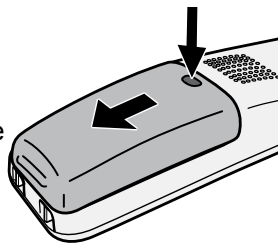
CONTENTS

INSTALLING YOUR PHONE	5
GETTING TO KNOW YOUR PHONE	6
Parts of the Base	6
Parts of the Handset	6
Using the Handset Menu	9
USING YOUR PHONE	11
Using the Caller ID and Redial Lists	12
Using Call Waiting	13
Using the Phonebook	13
USING SPECIAL FEATURES	15
Power Failure Back up System	15
DND (Do Not Disturb) Mode	16
Multihandset Features	16
Conference Calling	16
Call Transfer	17
Privacy Mode	17
Handset to Handset Intercom	17
Chain Dialing	18
Voice Message Notification	18
IMPORTANT INFORMATION	19
Solving Problems	19
Resetting Handsets	21
Registering Handsets	21
AC Adaptor and Battery Information	22
Wall Mounting the Base	23
INDEX	25
ONE-YEAR LIMITED WARRANTY	26

INSTALLING YOUR PHONE

Charge the Battery

1. Unpack all handsets, battery packs, and battery covers.
2. If you need to remove a cover, press in on the notch and slide the cover down and off.
3. Line up the battery connector with the jack inside the handset; the connector only fits one way.
4. Push the connector in until it clicks into place; tug gently on the wires to make sure the battery is securely connected.
5. Replace the battery cover and slide it into place.
6. Use an AC adaptor to connect the power jack on the base to a regular indoor (240V AC) power outlet. Connect any chargers the same way.
7. Place a handset in the base with the display facing forward. If the display doesn't light up, reseal the handset or connect the base to a different outlet. For 2 or more handsets, place each handset in a charger.



⚠ Charge all handsets completely (about 15 hours) before using.

Connect the Telephone Cord

Use the telephone cord to connect the TEL LINE jack on the base to a standard telephone wall jack.

Test the Connection

1. Pick up the handset and press **TALK/FLASH**. The handset sounds a dial tone, and the display shows *Talk*.
-If you don't hear a dial tone or the display says *Check Tel Line*, check the connection between the base and the phone jack.
2. Make a quick test call. (Press **END** to hang up.)
-If there's a lot of noise, check for interference (see page 21).
3. Test all handsets the same way. If you can't get a dial tone, move the handset closer to the base.

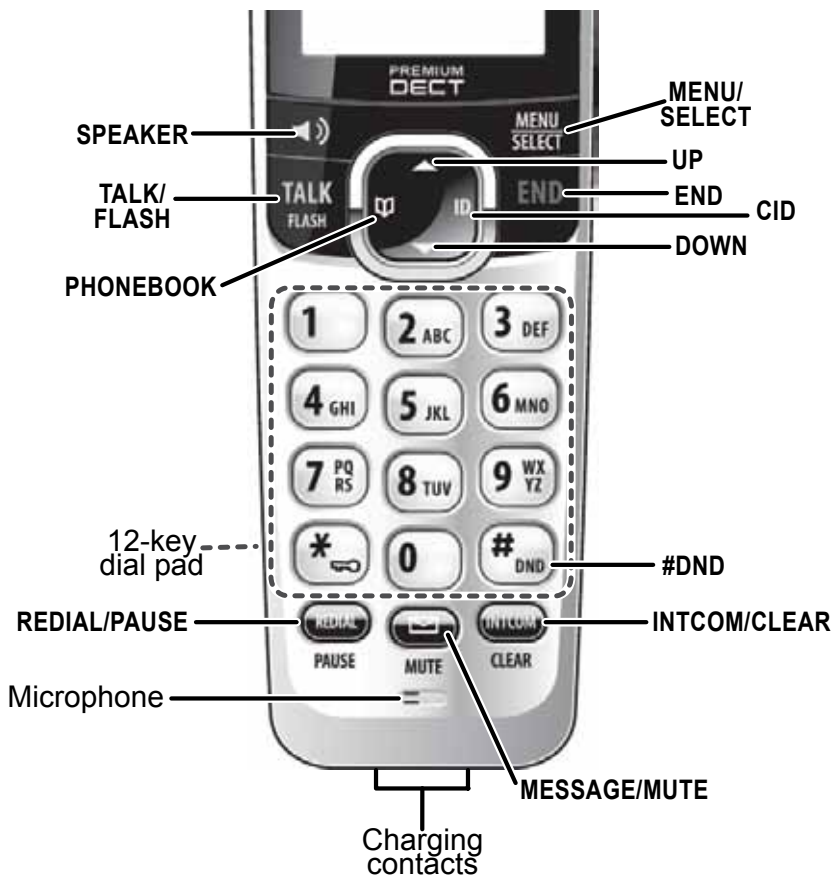
GETTING TO KNOW YOUR PHONE







Parts of the Base



Key	What it does
FIND HS	In standby: page all handsets

Parts of the Handset



Key Icon	What it does
PHONEBOOK 	<ul style="list-style-type: none"> • In standby or during a call: open the phonebook. • In the menu: go back to the previous screen. • When entering text: move the cursor to the left.
SPEAKER 	Switch a normal call to the speakerphone (and back).
TALK/FLASH	<ul style="list-style-type: none"> • In standby: start a telephone call on your land line (get a dial tone). • During a call: switch to a waiting call.
DOWN 	<ul style="list-style-type: none"> • In standby: decrease the ringer volume. • During a call: decrease the audio volume. • In any menu or list: move the cursor down one line.
REDIAL/PAUSE	<ul style="list-style-type: none"> • In standby: open the redial list. • When entering a phone number: insert a 2-second pause.
UP 	<ul style="list-style-type: none"> • In standby: increase the ringer volume. • During a call: increase the audio volume. • In any menu or list: move the cursor up one line.
MENU/SELECT	<ul style="list-style-type: none"> • In standby: open the menu. • In the menu or any list: select the highlighted item.
END	<ul style="list-style-type: none"> • During a call: hang up. • In the menu or any list: exit and go to standby.
CID	<ul style="list-style-type: none"> • In standby: or during a call: open the Caller ID list. • When entering text: move the cursor to the right.
INTERCOM/ CLEAR	<ul style="list-style-type: none"> • In standby: start an intercom call. • During a call: put the call on hold and start a call transfer. • When entering text or numbers: erase the character at the cursor (press & hold to erase all characters).
MESSAGE/MUTE 	<ul style="list-style-type: none"> • In standby: access your voice mail service, if you subscribe to the service provided by your service provider. • During a call: mute the microphone. • While the phone is ringing: ignore this call (mute the ringer).
#DND	Silence the ringers on the base and all handsets for a specific period of time.
* 	Press and hold to lock/unlock the keypad

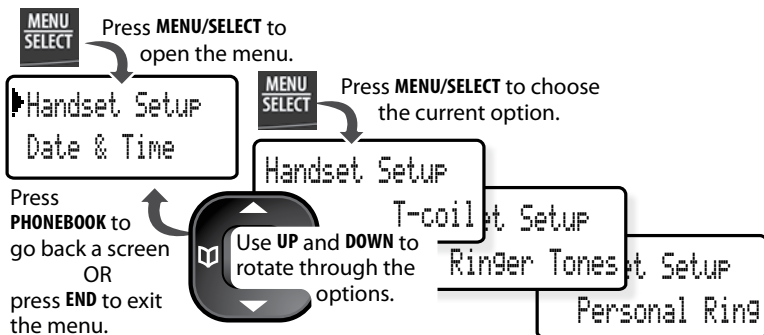
Reading the Display

The table shows the possible status icons and what they mean. Since the icons appear based on what the phone is doing, you won't see all the icons at the same time.



Icon	What it means
	The signal from base is 1) strong or 2) weak.
	Home phone line.
	The ringer is turned off and will not ring for new calls.
	The speakerphone is on.
	You have a voice message waiting.
P	Privacy Mode is on: no other handset can join the call (see page 17). If the T-coil mode is ON , then T will be displayed on the LCD and not P .
T	T-coil mode is on (see page 9).
	The battery is 1) fully charged, 2) half charged, 3) getting low, or 4) empty.
ECO	The handset is using ECO (power save) mode.
[Aa] - [aA]	Enter 1) capital or 2) lower case letter (see page 11).

Using the Handset Menu



If you don't press any keys for about 30 seconds, the handset exits the menu. During a call, use **PHONEBOOK** to back out of the menu without hanging up.

Intercom Menu

If additional handsets are available use this menu to page All or individual handsets.

Handset Setup Menu

You can change these settings separately for each handset.

Menu Option	What it does
<i>T-coil</i>	Turn on T-coil mode to reduce noise on hearing aids equipped with a telecoil (T-coil) feature. T-coil mode shortens talk time, so keep your battery fully charged.
<i>Ringer Tones</i>	Choose this handset's ring tone. As you highlight each ring tone, the phone plays a sample. When you hear the tone you want, press MENU/SELECT .
<i>Personal Ring</i>	Turn on personal ring so you can assign a special ring tone to people in your phonebook. With Caller ID, this handset uses the assigned tone when the person calls.
<i>Auto Talk</i>	Have this handset answer a call when you pick it up from the cradle (without pressing any buttons).
<i>Any Key Answer</i>	Have this handset answer a call when you press any key on the 12-key dialpad.
<i>Banner</i>	Change the name used on the handset's display.
<i>Key Touch Tone</i>	Have the keypad sound a tone when you press a key.

Date & Time Menu

Use this menu to set the clock. Enter the date and time (DD/MM/YY); select *AM* or *PM*. Use **CID** to move the cursor past a digit without changing it. If you have CID service, you can set it to provide the time (*Global Setup/Time Adjustment*).

Global Setup Menu

The settings on this menu affect all handsets. Only one handset at a time can change these menu options.

Edit Voice Mail	Enter, edit your voice mail access number (page 18)
Edit Int'l No	Enter, edit or delete international numbers. The "+" in a phonebook entry will be actually dialled with this number. To enter "+" in the phonebook entry, press and hold 0.
Set Line Mode	Do not change this setting unless instructed by customer service.
VMWI Reset	Reset the Voice Message Waiting Indicator (see page 18)
Insert 0	This feature adds "0" or "00" at the beginning of the number received from Caller ID. The default setting for New Zealand is ON. The default setting for Australia is OFF.
CID Time Setting	Select <i>On</i> to allow phone network to automatically set cordless phone system time.

Entering Text on your Phone

Use the 12-key dial pad anytime you want to enter text into your phone (a name in the phonebook, the handset banner, etc.). If two letters in a row use the same key, enter the first letter; wait for the cursor to move to the next space and enter the second letter.

To...	Press...
move the cursor left	PHONEBOOK
move the cursor right	CID
erase the character at the cursor	INTCOM/CLEAR
erase the entire entry	and hold INTCOM/CLEAR
enter a blank space	#.

switch between upper and lower case letters	*
rotate through the punctuation and symbols	0.

USING YOUR PHONE

This section explains the most common functions on the phone.

To...	Earpiece	Speaker
make a call, dial the number, then	Press TALK/FLASH .	Press SPEAKER .
answer a call	Press TALK/FLASH .	Press SPEAKER .
hang up	Press END or place the handset in the cradle.	
ignore the call (mute the ringer)	Press MESSAGE/MUTE while the phone is ringing.	
switch to/from the speaker	Press SPEAKER .	
mute the microphone	Press MESSAGE/MUTE .	
	Press again to turn the microphone back on.	
put a call on hold	Press INTCOM/CLEAR (after 2 mins 50 secs on hold the call will be disconnected).	
return to a call on hold	Press TALK/FLASH .	Press SPEAKER .

Finding a Lost Handset

With the phone in standby, press **FIND HS** on the base. All handsets beep for 1 minute; to cancel, press **FIND HS** again or press any handset key.

Changing the Volume

Press **UP** or **DOWN** to increase or decrease the earpiece or speaker volume when you are on a call. You can adjust the ringer volume only when the phone is in standby.

🔇 **Turning the ringer volume all the way down turns off the ringer.**

Using the Caller ID and Redial Lists

Caller ID (CID) is a service available from your telephone provider that shows the phone number (and sometimes the caller's name) of the incoming calls. Contact your telephone provider for more information.

Caller ID list	Redial list
<ul style="list-style-type: none">• The phone saves the information for the last 50 received calls to the <i>CID list</i>. The <i>NEW</i> icon marks any calls received since the last time you checked the list.• All handsets share the same CID list so only one handset can access the list at a time.• In standby, handsets show how many calls came in since the last time you checked the CID list.	<ul style="list-style-type: none">• Each handset remembers the last 10 numbers you dialed on it.• Only one handset can access its redial list at a time

To...	Press...
open the CID list	CID.
open the redial list	REDIAL/PAUSE.
scroll through the lists	DOWN to scroll from newest to oldest. UP to scroll from oldest to newest.
dial the highlighted number	TALK/FLASH or SPEAKER.
close the lists	PHONEBOOK or END.

For individual record options, highlight a number and press **MENU/SELECT**.

Delete Entry	Erase the number from the list.
Store Into PB	Add the number to the phonebook. The handset prompts you to edit the name and number and select a personal ring
Delete All	Erase all numbers from the list.

Using Call Waiting

If you get a Call Waiting call, the phone can sound a tone and display any CID information received for the waiting call.

For Australia:

Press **TALK/FLASH** and then press 2 to accept the waiting call. The first caller is put on hold, and you will hear the new caller after a short pause. To return to the original caller, press **TALK/FLASH** and then 2 again.

For New Zealand:

Press **TALK/FLASH** to accept the waiting call. The first caller is put on hold, and you will hear the new caller after a short pause. To return to the original caller, press **TALK/FLASH** again.

Using the Phonebook

The phone can store up to 100 entries in its phonebook. All handsets share the same phonebook, so only one handset can access it at a time.

To...	Press...
open/close the phonebook	PHONEBOOK.
scroll through the entries	DOWN to scroll through the entries from A to Z. UP to scroll from Z to A.
jump to entries that start with a certain letter	the number key corresponding to the letter you want.
dial the current entry	TALK/FLASH or SPEAKER
edit the current entry	MENU/SELECT , then select Edit
delete the current entry	MENU/SELECT , then select <i>Delete</i> . When the phone prompts you to confirm, select Yes.

Adding Phonebook Entries

With the phone in standby, open the phonebook. Press **MENU/SELECT** and select *Create New*. Enter a name, number, and then assign a personal ring if desired.

- Enter the phone number (up to 20 digits) exactly as you would dial it.
- If you need the phone to wait before sending the next set of digits, press **REDIAL/PAUSE** to insert a 3-second pause. You can insert multiple pauses, but each one counts as a digit (you'll see *P* in the display).
- When storing an international phone number you can use "+" in place of the dialling access. To enter "+" in the phonebook entry, press and hold 0. Make sure you store the international dialling prefix, e.g. "00" or "0011", in Edit Int'l No (see page 10).

Deleting All the Phonebook Entries

With the phone in standby, open the phonebook. Press **MENU/SELECT** and select *Delete All*. When the phone prompts you to confirm, select Yes.

USING SPECIAL FEATURES

Power Failure Back up System

The charged handset temporarily supplies power to the base unit, when a power failure occurs (power failure mode). You can then make and receive calls using a handset. None of the keys on the base unit are functional during the power failure mode.

When a power failure occurs place the charged handset on the base, the handset LCD backlight is illuminated for 10 secs and “*Supplying power Handset >> Base*” is displayed on the LCD.

After 3 seconds, the message “Please don’t pick up the handset” is displayed on the LCD.

If the handset is lifted from the base during the power back up mode, the message “*Please put on the base cradle*” is displayed on the LCD.

If the battery level is low, the unit will not work efficiently during the power back-up mode. In addition, in case the handset battery power runs out, we recommend connecting a corded-type telephone to the same telephone line.

Making Calls


To make a call during the power failure mode, follow the steps given below:

1. Taking care not to lift the handset from the base, press **TALK/FLASH** (the speakerphone is turned on automatically). Dial the number.
2. After you finish, press **END**.

When more than one handset is registered:

- You should leave one handset on the base unit for supplying the power, and use another handset for making calls. Please refer to the “Using your Phone” section on page 13 for details.
- During a call with the handset placed on the base unit (power back-up mode), the call may be disconnected if you touch the handset. In such a case, try to call back.
- The range of the base unit is limited during a power failure. Please use the handset close to the base.

Redial List/Phone book

1. Place the handset on the base and press **REDIAL/PAUSE** or  (**PHONEBOOK** icon).
2. Press the **UP** or **DOWN** key and select the desired number.
3. Press **TALK/FLASH** to dial out the number.

- ⓘ **Some of the functions are not available under the power failure back up stem. You cannot edit the phonebook (For eg, store a number). Redial/CID will not be stored.**

DND (Do Not Disturb) Mode

You can silence the ringers on the base and all handsets for a specific period of time.

1. With the phone in standby, press and hold **#DND** on any handset. The phone prompts you to select the number of hours (1 - 9 or *Always On*) that you want it to stay in DND mode.
2. To confirm, press **#** or just wait about 5 seconds. The phone displays *DND Mode On* on each handset.
3. After the selected number of hours, the phone automatically exits DND mode. To exit DND mode manually, press and hold **#DND** again.

Multihandset Features

- ⓘ **To use the features in this section, you need at least 2 handsets.**
- Your base supports a total of 6 cordless handsets: the one that came with the base and up to 5 DECT 3105 accessory handsets.
 - You must register accessory handsets to the base before using them. (Handsets that came packaged with the base are already registered.)
 - Handsets that aren't registered display a *Not Registered* message. For registration instructions, see page 21, or see the accessory handset manual.
 - If a handset was ever registered to a base, you must reset it before it can register to a new base; see page 21, or see the accessory handset manual.

Conference Calling

- When an outside call comes in, two handsets can join in a conference call with the outside caller.
- To join a call that's already in progress, just press **TALK/FLASH** or **SPEAKER**.
- To leave the conference call, hang up normally; the other handset remains connected to the call.

Call Transfer

To...	Press...
transfer a call	INTCOM/CLEAR . The phone puts the call on hold and prompts you to select the handset you want to page. When the other handset accepts the call, you'll be disconnected (press TALK/FLASH to rejoin the call).
cancel a transfer	TALK/FLASH to return to the call.
accept a transferred call	INTCOM/CLEAR to answer the page and speak to the other handset. Then, press TALK/FLASH to speak to the caller.

Privacy Mode

- To activate privacy mode on a call in progress, press **MENU/SELECT** and select *Privacy Mode*. As long as privacy mode is on, you'll see a **P** in the display, and no other handsets can join your call.
- Privacy mode turns off automatically when you hang up; you can also turn it off by selecting Privacy mode from **MENU/SELECT** again.

☒ **If, the T-coil mode is ON, then T will be displayed on the LCD and not P.**

Handset to Handset Intercom

- Whenever the phone is in standby, you can make an intercom call between handsets without using the phone line.
- You can make an intercom call from any handset, but only two handsets can be in an intercom call at any time.
- If an outside call comes in during an intercom page, the phone cancels the page so you can answer the incoming call.
- If an outside call comes in during an intercom call, press **TALK/FLASH** to hang up the intercom call and answer the outside call.

To...	Press...
make an intercom page	INTCOM/CLEAR . Select the handset you want to talk with, or <i>All</i> to page all handsets at the same time
cancel a page	END
answer a page	INTCOM/CLEAR or TALK/FLASH
end an intercom call	END . Both handsets return to standby.

Chain Dialing

If you often have to enter a series of digits or a code number during a call, you can save that code number to a phonebook entry and use the phonebook to send the code number.

1. Make your call normally.
2. When you hear the prompt that tells you to enter the number, open the phonebook and find the entry that contains your code.
3. Press **MENU/SELECT** to send the code. If you change your mind, just close the phonebook.

Voice Message Notification

If you subscribe to a voice mail service, your phone can notify you when you have a new message. You can also enter your access number and retrieve your messages with one key touch. Contact your voice mail provider for more information.

Entering your voice mail access number

With the phone in standby, open the menu and select *Global Setup*.

Select *Edit Voice Mail*, then enter the access number (up to 20 digits) from your voice mail service. If you need the phone to wait between parts of the access number, press **REDIAL/PAUSE** to insert a two-second pause. (You can insert as many pauses as you want, but each pause counts as a digit.)

Press **MENU/SELECT** when you're finished; the phone overwrites any previously saved number.

Getting your Messages

When you have new messages,  icon appears in the display. Press **MESSAGE/MUTE** the phone automatically dials the saved number.

Resetting the Message Icon

After you listen to your messages, the message icon turns off. If it doesn't you can reset it - with the phone in standby, open the menu and select *Global Setup*; select *VMWI Reset*, then select *Yes*.

IMPORTANT INFORMATION

Solving Problems

If you have any trouble with your phone, check this section first. If you need help, visit the customer support page of our website listed on the front cover.

General Problems	Possible Solutions
No handsets can make or receive calls.	<ul style="list-style-type: none">• Check the telephone cord connection.• Pick up the handset from the cradle and disconnect the base AC adaptor.
A handset can't make or receive calls.	<ul style="list-style-type: none">• Move the handset closer to the base.
A handset can make calls, but it won't ring.	<ul style="list-style-type: none">• Make sure the ringer is turned on.• Make sure DND Mode is turned off (see page 16).
A handset is not working.	<ul style="list-style-type: none">• Charge the battery for 15-20 hours.• Check the battery connection.
The phone keeps ringing when I answer on an extension.	<ul style="list-style-type: none">• You may have to change the line mode. Contact Customer Service for instructions.
Audio Issues	Possible Solutions
Callers sound weak or soft.	<ul style="list-style-type: none">• Move the handset closer to the base.• Keep the handset's battery fully charged.• Increase the earpiece volume.

<p>There's a lot of noise or static on the line</p>	<ul style="list-style-type: none"> • Check for interference from appliances (microwave ovens, TVs, etc.) or wireless devices (baby monitors, WiFi equipment, etc.). Move the handset or base away from the interference source. • If you use a telecoil hearing aid, turn on T-coil mode (see page 9). • If you have any service that uses the phone line, add a DSL or telephone line filter (see page 21).
Caller ID Issues	Possible Solutions
<p>No handsets display Caller ID information.</p>	<ul style="list-style-type: none"> • Let calls ring twice before answering. • Make sure your Caller ID service is active.
<p>Caller ID displays briefly and then clears.</p>	<ul style="list-style-type: none"> • You may have to change the line mode. Contact Customer Service for instructions.
Multi-handset problems	Possible Solutions
<p>I can't transfer calls</p>	<ul style="list-style-type: none"> • Reset the handset (see page 21).
<p>Two handsets can't talk to a caller</p>	<ul style="list-style-type: none"> • See if any handset is in Privacy Mode.
<p>A handset says <i>Unavailable</i>.</p>	<ul style="list-style-type: none"> • Move the handset closer to the base. • See if any handset is in Privacy Mode.
<p>I can't register a new handset.</p>	<ul style="list-style-type: none"> • Reset the handset (see page 21). • See if you have 6 registered handsets
Voice mail issues	Possible Solutions
<p>The new message icon doesn't turn off after I've listened to all my messages.</p>	<ul style="list-style-type: none"> • Reset the Voice Message Indicator (see page 18)

Installing a Line Filter or DSL Filter

A telephone line filter or DSL filter prevents services that use the phone line from causing interference on your phone. To get a line filter, contact your service provider or look in an electronics store.

Plug the filter into the telephone wall jack and plug the base into the filter. Make a test call to make sure the noise is gone.

Liquid Damage

CAUTION: If the base is covered in liquid, disconnect the adaptor and phone cord from the wall before touching it.

If the liquid is only on the exterior housing of the base or handset, wipe it off and use as normal. If you can hear liquid inside the housing:

1. Remove all compartment covers, and disconnect all cables and cords.
2. If liquid is leaking from any vent or hole, turn the phone so that vent faces down. If not, place the largest vent face down.
3. Let dry for at least 3 days. Check for liquid inside the phone before replacing compartment covers and reconnecting cords.

Resetting Handsets

If you have trouble with a handset or if you want to replace one, clear the registration information from the base and the handset:

1. Press & hold **END** and **#** at the same time until you see the *System Reset* menu.
2. If you still have the base the handset is registered to, select *Deregister HS*, then select the handset you want to reset. If you don't have that base anymore, select *Base Unavailable*.
3. To confirm, select *Yes*. The handset displays *Handset not registered*.

Registering Handsets

If you see a "not registered" message on a handset, you must register it to a base before using it.

1. Place the handset in the base; the display should say *Handset Registering*.
2. Wait until the display says *Registration Complete* (about 30 seconds), then pick up the handset and press **TALK/FLASH**.
3. If you don't hear a dial tone or the display says *Registration Failed*, charge the battery completely, then try again.

AC Adaptor and Battery Information

AC Adaptor	Base	Charger
Part number	PS-S0635YL3	AAD-600S(M)
Input voltage	100-240V AC, 50/60Hz	100-240V AC, 50/60Hz
Output voltage	6V DC @ 350mA	9V DC @ 210mA

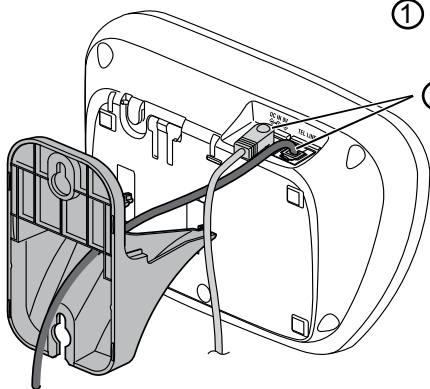
- Use only the supplied AC adaptors.
- Use the proper adaptor for the base and any chargers.
- Do not place the unit in direct sunlight or subject it to high temperatures.

Battery Pack with Normal Use	
Part number	BT-694, BT-694s or BT-694n
Capacity	650mAh (BT-694) or 500mAh (BT-694s) or 400mAh(BT-694n)
Talk time	about 10 hours
Standby time	about 7 days
Battery life	about 1 year

- Replace the battery when the talk or standby time becomes noticeably reduced. For replacements, visit the online shop on our website (see the front cover).
- When the battery gets low, the handset beeps and shows a low battery alert; put the handset in the cradle for recharging.

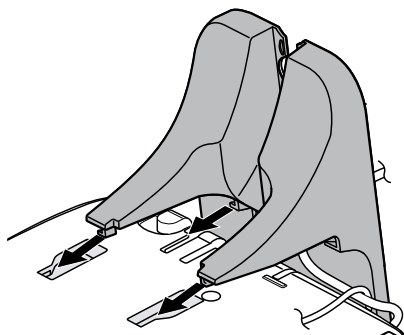
Wall Mounting the Base

This phone can be mounted on any standard telephone wall plate using the supplied wall-mount bracket.

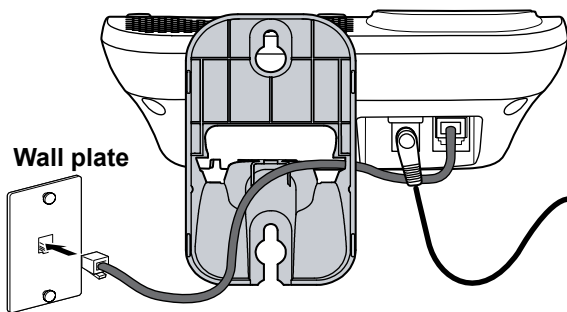


- ① Route the telephone cord through the hole of the wall-mount bracket.
- ② Connect the AC adaptor and the telephone cords as shown.

- ③ Line up the four tabs on the wall-mount bracket (two at the top and two at the center) with the four notches on the bottom of the base. Slide the bracket into place.

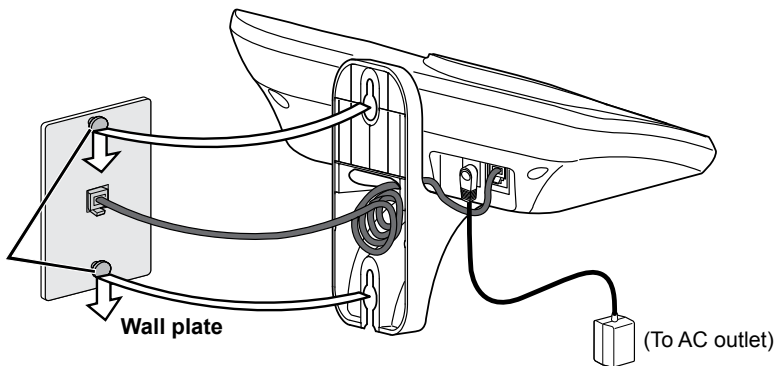


- ⑤ Plug the telephone cord into the wall jack. Tuck the excess cord into the open space in the bracket.



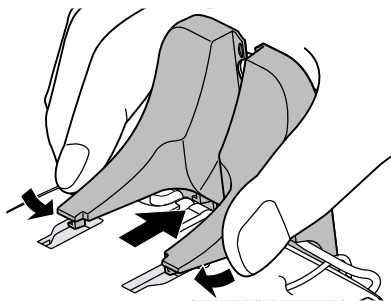
- ④ Let the AC adaptor cord hang below the base.

- ⑥ Place the mounting slots over the pins on the wall plate.
- ⑦ Slide the base down to lock it into place.



Removing the wall-mount bracket

At the bottom of the base, pinch the two “nose” of the wall-mount bracket as shown, and then slide the bracket away from the base.



Note: Mounting the phone directly on the wall

- Be sure the wall is capable of supporting the weight of the phone, and use the proper type of anchoring device for the wall material.
- Insert two #10 screws (minimum length of 35mm, not supplied) into the wall, 100mm apart.
- Leave the screw heads 3mm away from the wall to allow room for mounting the phone.
- Align the mounting slots over the screws and slide the base down into place as shown above.

INDEX

A

Any Key Answer 9
Auto Talk 9

B

Battery 22

C

Caller ID 12
Call Transfer 17
Call Waiting 13
Chain Dialing 18
Conference Calling 16

D

Date&Time 10
DND 16

I

Intercom 17

K

Key Touch Tone 9

L

Line Filter 21
Liquid Damage 21

M

Multihandset Feature 16

P

Personal Ring 9
Phonebook 13
Power Failure Mode 15

Privacy Mode 17

R

Redial 7
Register a Handset 21
Resetting the Handset 21
Ringer 9

V

Voice Mail 18

W

Wall Mounting 23
Warranty 26

ONE-YEAR LIMITED WARRANTY

DECT 3115

IMPORTANT Satisfactory evidence of the original purchase is required for warranty service

Please refer to our Uniden website for any details or warranty durations offered in addition to those contained below.

Warrantor

The warrantor is either Uniden Australia Pty Limited ABN 58 001 865 498 (“UnidenAust”) or Uniden New Zealand Limited (“UnidenNZ”) as the case may be.

Terms of Warranty

Uniden Aust/NZ warrants to the original retail purchaser only that the DECT 3115 (“the Product”), will be free from defects in materials and craftsmanship for the duration of the warranty period, subject to the limitations and exclusions set out below.

Warranty Period

This warranty to the original retail purchaser is only valid in the original country of purchase for a Product first purchased either in Australia or New Zealand and will expire one (1) year from the date of the original retail sale.

If a warranty claim is made, this warranty will not apply if the Product is found by Uniden to be:

- (A) Damaged or not maintained in a reasonable manner or as recommended in the relevant Uniden Owner’s Manual;
- (B) Modified, altered or used as part of any conversion kits, subassemblies or any configurations not sold by Uniden Aust or Uniden NZ;
- (C) Improperly installed contrary to instructions contained in the relevant Owner’s Manual
- (D) Repaired by someone other than an authorized Uniden Repair Agent in relation to a defect or malfunction covered by this warranty; or
- (E) Used in conjunction with any equipment, parts or a system not manufactured by Uniden.

Parts Covered

This warranty covers the Product and included accessories.

User-generated Data

This warranty does not cover any claimed loss of or damage to user-generated data (including but without limitation phone numbers, addresses and images) that may be stored on your Product.

Statement of Remedy

If the Product is found not to conform to this warranty as stated above, the Warrantor, at its discretion, will either repair the defect or replace the Product without any charge for parts or service. This warranty does not include any reimbursement or payment of any consequential damages claimed to arise from a Product's failure to comply with the warranty.

Our goods come with guarantees that cannot be excluded under the Australian Consumer Law. You are entitled to a replacement or refund for a major failure and for compensation for any other reasonably foreseeable loss or damage. You are also entitled to have the goods repaired or replaced if the goods fail to be of acceptable quality and the failure does not amount to a major failure.

This warranty is in addition to and sits alongside your rights under either the COMPETITION AND CONSUMER ACT 2010 (Australia) or the CONSUMER GUARANTEES ACT (New Zealand) as the case may be, none of which can be excluded.

Procedure for Obtaining Warranty Service

Depending on the country in which the Product was first purchased, if you believe that your Product does not conform with this warranty, you should deliver the Product, together with satisfactory evidence of your original purchase (such as a legible copy of the sales docket) to Uniden at the addresses shown below. You should contact Uniden regarding any compensation that may be payable for your expenses incurred in making a warranty claim. Prior to delivery, we recommend that you make a backup copy of any phone numbers, images or other data stored on your Product, in case it is lost or damaged during warranty service.

UNIDEN AUSTRALIA PTY LTD

Service Division
345 Princes Highway,
Rockdale, NSW 2216
Phone number: 1300 366 895
Email: custservice@uniden.com.au

UNIDEN NEW ZEALAND LTD

Service Division
150 Harris Road, East Tamaki
Auckland 2013
Phone number: (09) 273 8377
Email: service@uniden.co.nz

Uniden®

©2012 Uniden Australia Pty Ltd/Uniden New Zealand Limited
Printed in Vietnam U01UN504BZA(0)